

**INSTALLATION INSTRUCTIONS****5&6 in LED DOWNLIGHT - MODEL EL637CT5X****Rated Voltage 120V, 60Hz**

X indicates the finish color of product.

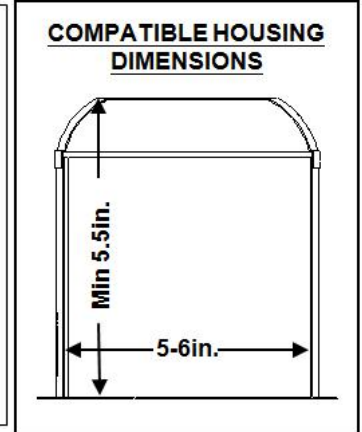
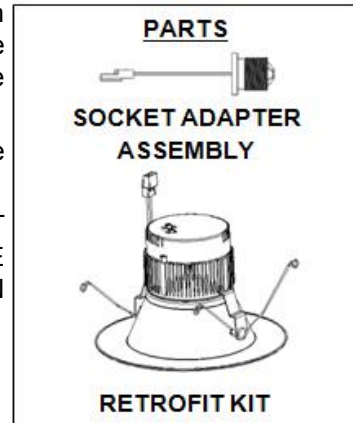
**Please read carefully and save these instructions as you may need them at a later date.****WARNING - RISK OF ELECTRIC SHOCK. DISCONNECT MAIN POWER AT FUSE OR CIRCUIT BREAKER BEFORE INSTALLING OR SERVICING THE FIXTURE.**

**GENERAL:** All electrical connections must be in accordance with local and National Electrical Code (N.E.C.) standards. If you are unfamiliar with proper electrical wiring connections obtain the services of a qualified electrician.

Remove the KIT from the box and make sure that no parts are missing by referencing the PARTS illustrations.

THIS ETROFIT ASSEMBLY IS ACCEPTED AS A COMPONENT OF ED LUMINAIRE WHERE HE SUITABILITY OF HE COMBINATION SHALL BE DETERMINED BY SA OR CANADIAN AUTHORITIES HAVING JURISDICTION.

THIS EVICE IS NOT INTENDED FOR USE WITH EMERGENCY EXITS.

**WARNING- RISK OF FIRE OR ELECTRIC SHOCK**

- LED Retrofit Kit installation requires knowledge of luminaires electrical systems. If not qualified, do not attempt installation. Contact a qualified electrician.
- Install this kit only in luminaires that have the construction features and dimensions shown in the photographs and/or drawings and where the input rating of the retrofit kit does not exceed the input rating of the luminaire.
- Do not make or alter any open holes in an enclosure of wiring or electrical components during kit installation.
- To prevent wiring damage or abrasion, do not expose wiring to edges of sheet metal or other sharp objects.
- The inside of the ceiling must be waterproof.

**ASSEMBLY AND INSTALLATION****LED HOUSINGS**

1. Mate the **FEMALE ORANGE CONNECTOR** of the LED Insert onto the **MALE ORANGE CONNECTOR** of the LED HOUSING. (FIG. 3)
2. Squeeze both TORSION SPRING arms together and insert into the CAN. Tuck all wires into the CAN and carefully push the RETROFIT KIT into CAN.

