

NEW

LED Track Fixtures

Integrated LED Track Fixtures to be used with 120V Single or Two Circuit Tracks
Dimmable • CRI 90+ • 90° Tilt • 358° Rotation • 50,000 Hours life-span

• WE MATCH OR BEAT ANY COMPETITORS QUOTE •



LED Highpoint™ (Small)

- 4 1/2" H x 2" O.D.
- 38° Beam angle standard.

10W / 700 lm / 3000K

ET62230D (W)(B)

LED Highpoint™ (Medium)

- 4 3/4" H x 2 3/4" O.D.
- 38° Beam angle standard.
- Optional lenses: EP724C (12°) or EP725C (24°) available.

15W / 1050 lm / 3000K

ET62330D (W)(B)

LED Highpoint™ (Large)

- 5 7/16" H x 3 5/8" O.D.
- 38° Beam angle standard.
- Optional lenses: EP726C (12°) or EP727C (24°) available.

20W / 1400 lm / 3000K

ET62430D (W)(B)

20W / 1500 lm / 4000K

ET62440D (W)(B)



LED Gordian™ (Mini)

- 3 7/16" x 1 1/2" O.D.
- 38° Beam angle standard.
- Optional lenses: EP719C (15°) or EP720C (24°) available.

10W / 750 lm / 3000K

ET61830D (W)(B)

LED Gordian™ (Small)

- 4 3/4" H x 2 1/4" O.D.
- 38° Beam angle standard.
- Optional lenses: EP719C (15°) or EP720C (24°) available.

15W / 1150 lm / 3000K

ET61930D (W)(B)

LED Gordian™ (Medium)

- 5 3/8" H x 3 3/16" O.D.
- 38° Beam angle standard.
- Optional lenses: EP722C (15°) or EP723C (24°) available.

30W / 2100 lm / 3000K

ET62030D (W)(B)

30W / 2250 lm / 4000K

ET62040D (W)(B)

LED Gordian™ (Large)

- 6 1/4" H x 3 5/8" O.D.
- 38° Beam angle standard.

40W / 2900 lm / 3000K

ET62130D (W)(B)

40W / 3150 lm / 4000K

ET62140D (W)(B)

(W) White - (B) Black



LED Uni™

- 4 1/4" H x 2 1/2" O.D.
- 38° Beam angle standard.

8W / 600 lm / 3000K

ET62730D (W)(B)



LED Cleat™

- 4 1/8" H x 2 1/4" O.D.
- 38° Beam angle standard.
- Optional lenses: EP719C (15°) or EP720C (24°) available.

10W / 700 lm / 3000K

ET62530D (W)(B)

13W / 1000 lm / 3000K

ET62630D (W)(B)

E-mail your order to: orderdesk@elcolighting.com

Tel: 800.522.2626 • Fax: 800.644.2626



ELCO Lighting

The Best Choice in Lighting

NEW

LED Track Fixtures

Integrated LED Track Fixtures to be used with 120V Single or Two Circuit Tracks
 Dimmable • CRI 90+ • 90° Tilt • 358° Rotation • 50,000 Hours life-span

• WE MATCH OR BEAT ANY COMPETITORS QUOTE •

LED Tiggap™

- 4 7/8" H x 2 1/4" O.D.
- 38° Beam angle standard.
- Optional lenses: EP719C (15°) or EP720C (24°) available.

13W / 1000 lm / 3000K

ET62830D (W)(B)



Adjustable Beam Angle LED Bachman™ (Small)

- 6 3/8" H x 3 1/2" O.D.
- 20°-50° Beam angle.

20W / 1600 lm / 3000K

ET75830D (W)(B)

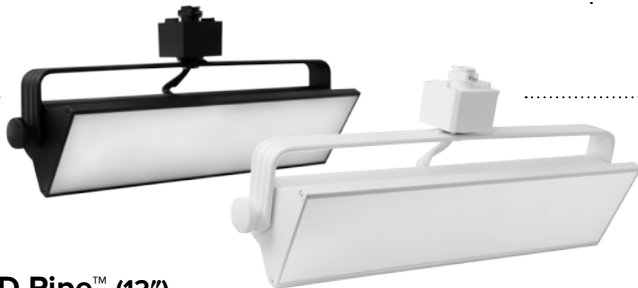


Adjustable Beam Angle LED Bachman™ (Large)

- 6 3/4" H x 4" O.D.
- 20°-50° Beam angle.

28W / 2240 lm / 3000K

ET75930D (W)(B)



LED Pipe™ (12")

- Frosted lens for even light distribution
- 4 3/4" H x 11 5/8" L x 2 1/8" W

20W / 1400 lm / 3000K

ETW4230 (W)(B)

20W / 1550 lm / 4000K

ETW4240 (W)(B)

LED Pipe™ (21")

- 4 3/4" H x 20 1/4" L x 2 1/8" W

40W / 2500 lm / 3000K

ETW4330 (W)(B)

40W / 2700 lm / 4000K

ETW4340 (W)(B)

LED Pipe™ (27")

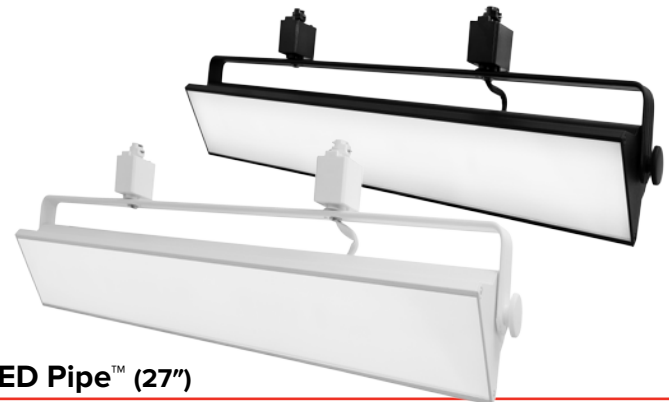
- Frosted lens for even light distribution
- 4 3/4" H x 26 1/8" L x 2 1/8" W

58W / 4000 lm / 3000K

ETW4430 (W)(B)

58W / 4300 lm / 4000K

ETW4440 (W)(B)



(W) White - (B) Black

E-mail your order to: orderdesk@elcolighting.com
 Tel: 800.522.2626 • Fax: 800.644.2626



ELCO Lighting
 The Best Choice in Lighting