

Mini Undercabinet Puck Light Accessories



Features

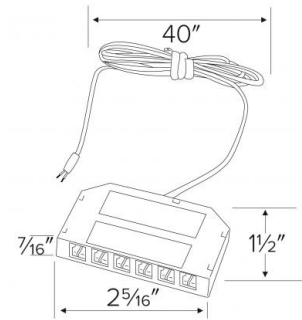
- 6-way distributor to be used with 12V drivers.

Specifications

Voltage	12V
----------------	-----

Options

Dimensions



Product Numbers

Item	Description	Voltage
EDIS6	Mini Undercabinet Puck Light Accessory	12V